



BHI-5

## ISLAND HOT CASE



Total food visibility to increase impulse sales

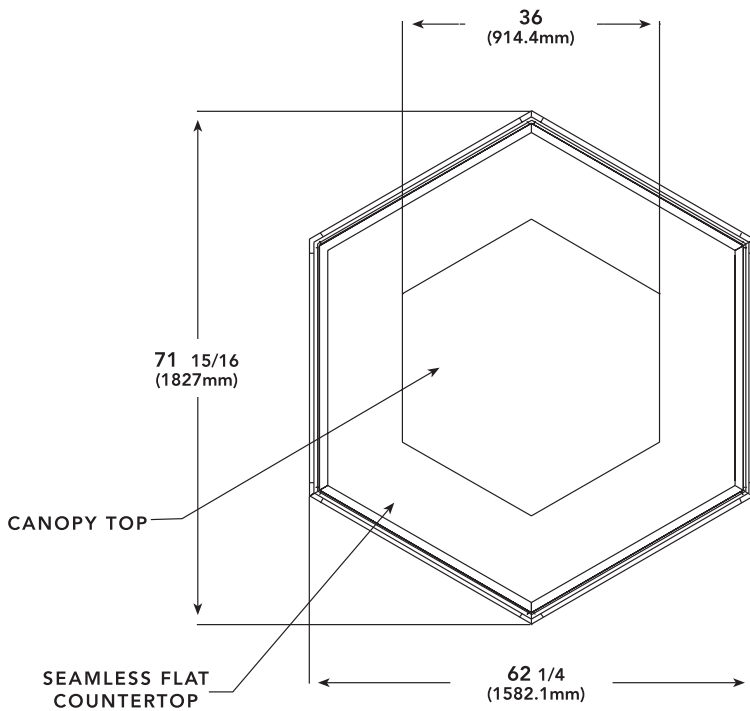
Thermostatically-controlled 'wedges' afford independent zoning for a wide variety of packaged and prepared foods

With BKI's self-serve island hot case, hold a variety of items at varying temperatures for optimal product integrity and appeal. Vividly display prepared and packaged entrees and side items to stimulate customer interest and increase impulse sales. Built to hold constant and proper temperature, each individual 'wedge' has independent zoning so you can offer unlimited menu options to your customers.



**BHI-5**

TOP VIEW



**ELECTRICAL SPECIFICATIONS**

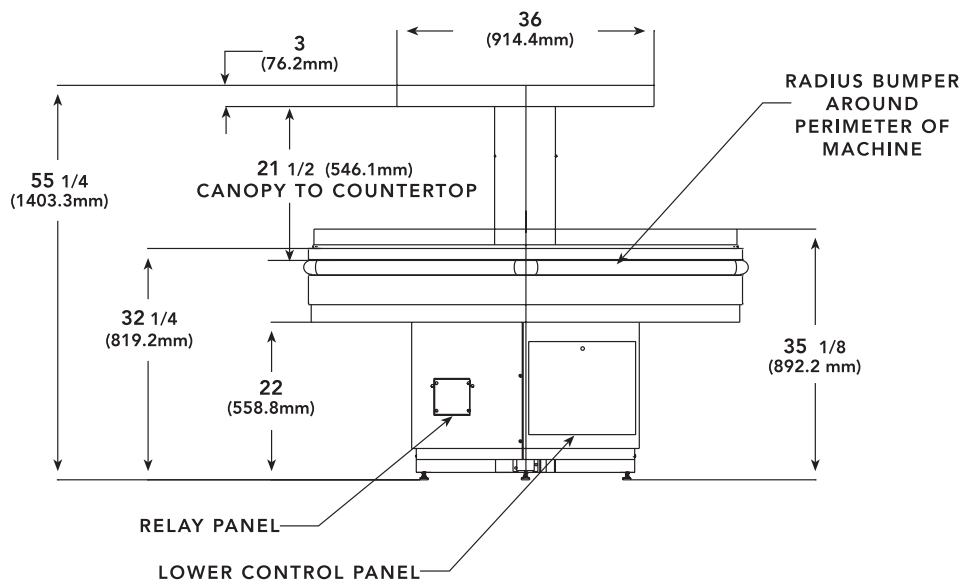
|                |            |            |
|----------------|------------|------------|
| <b>Voltage</b> | <b>208</b> | <b>240</b> |
| <b>Phase</b>   | 1/3        | 1/3        |
| <b>Wires</b>   | 3/4        | 3/4        |
| <b>Amps</b>    | 39.0/24.4  | 34.0/21.0  |
| <b>Breaker</b> | 50/30      | 50/30      |
| <b>kW</b>      | 8.1        | 8.1        |

**DIMENSIONS**

|                        |                                     |
|------------------------|-------------------------------------|
| <b>Height</b>          | 55 1/4" (1403.3 mm)                 |
| <b>Width</b>           | 71 15/16" (1827 mm)                 |
| <b>Depth</b>           | 62 1/4" (1581.15 mm)                |
| <b>Floor Space</b>     | 31.125 sq.ft (2.89 m <sup>2</sup> ) |
| <b>Shipping Weight</b> | 935 lb. (424 kg)                    |
| <b>Shipping Cube</b>   | 257 cu.ft (7.3 m <sup>3</sup> )     |

NOTE: UNIT HAS SEAMLESS FLAT COUNTERTOP WITH LIGHTING UNDER TOP CANOPY

SIDE VIEW



**BKI Worldwide Headquarters**

P.O. Box 80400 Simpsonville, SC 29680-0400 USA • Tel: 864-963-3471 • Toll Free: 1-800-927-6887  
Sales Fax: 509-352-5350

**BKI Europe (U.K.)**

Tel: (44) 8950 8222  
Fax: (44) 8956 0233

**BKI Latin America**

Tel: 954-442-0480  
Fax: 954-442-0480

