

HOT SURFACE WARMERS

Ceramic heat helps maintain proper and safe food temperature



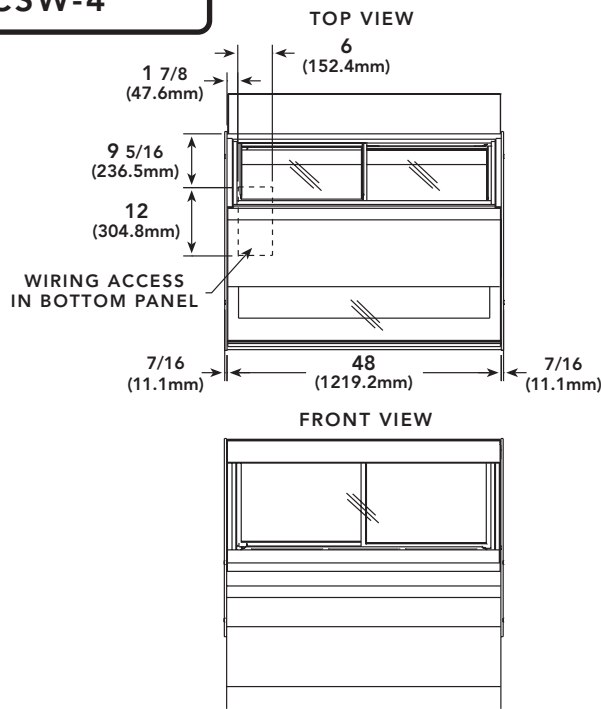
Thermostatic controls sustain heat above and below the wells

Optional ceramic tiles enhance merchandising appearance and appeal

BKI's hot surface warmers merchandise food in one compact footprint to increase impulse sales with its distinctive design and total product visibility. Precision-controlled temperature zones give you the versatility to create diverse menu options and reduce food shrinkage. Let BKI's fresh ideas increase your profits and merchandising options with one compact unit.



CSW-4



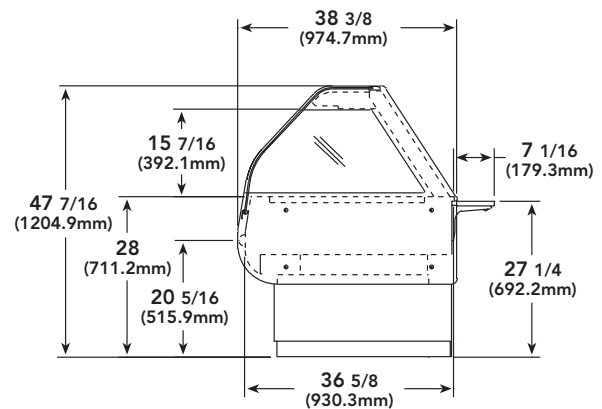
ELECTRICAL SPECIFICATIONS

Voltage	208	220	240
Phase	3/1	3/1	3/1
Wires	3/2	3/2	3/2
Amps	14.0/22.5	12.2/20.0	13.2/21.2
Breaker	20/30	20/30	20/30
kW	4.7	4.3	5.1

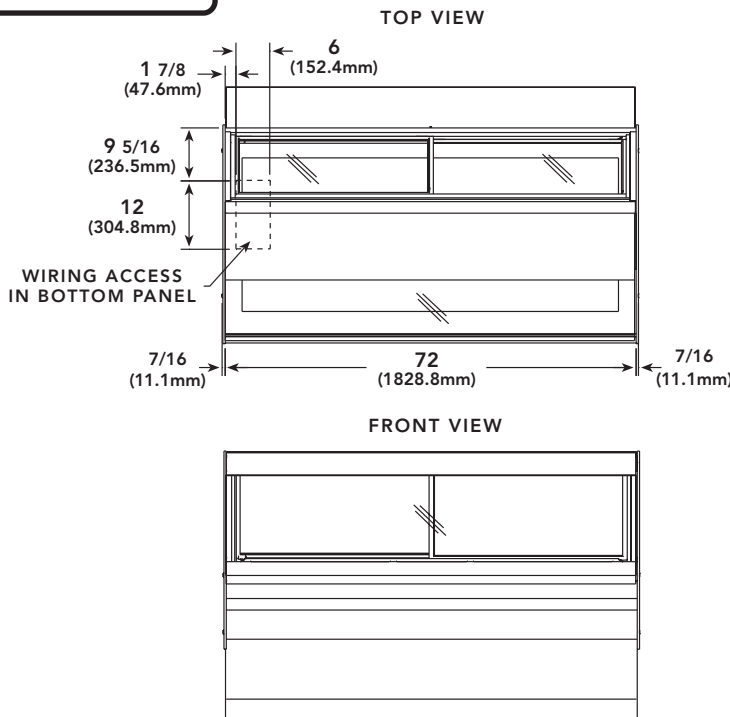
DIMENSIONS

Height	47 7/16" (1204.9 mm)
Length	48 7/8" (1241.4 mm)
Depth	38 3/8" (974.7 mm)
Floor Space	13 sq.ft (1.2 m ²)
Shipping Weight	565 lb. (256.3 kg)
Shipping Cube	94.5 cu.ft (2.7 m ³)

SIDE VIEW



CSW-6



ELECTRICAL SPECIFICATIONS

Voltage	208	220	240
Phase	3/1	3/1	3/1
Wires	3/2	3/2	3/2
Amps	24.0/37.6	20.5/32.7	22.3/35.4
Breaker	30/50	30/45	30/45
kW	7.8	7.2	8.5

DIMENSIONS

Height	47 7/16" (1204.9 mm)
Length	72 7/8" (1851 mm)
Depth	38 3/8" (974.7 mm)
Floor Space	19.44 sq.ft (1.8 m ²)
Shipping Weight	690 lb. (313 kg)
Shipping Cube	134.5 cu.ft (3.8 m ³)

CASES HAVE VERTICAL ADJUSTMENT OF +1 1/2 (38.1 mm)



BKI Worldwide Headquarters

P.O. Box 80400 Simpsonville, SC 29680-0400 USA • Tel: 864-963-3471 • Toll Free: 1-800-927-6887
Sales Fax: 509-352-5350

BKI Europe (U.K.)

Tel: (44) 8950 8222

Fax: (44) 8956 0233

BKI Latin America

Tel: 954-442-0480

Fax: 954-442-0480

