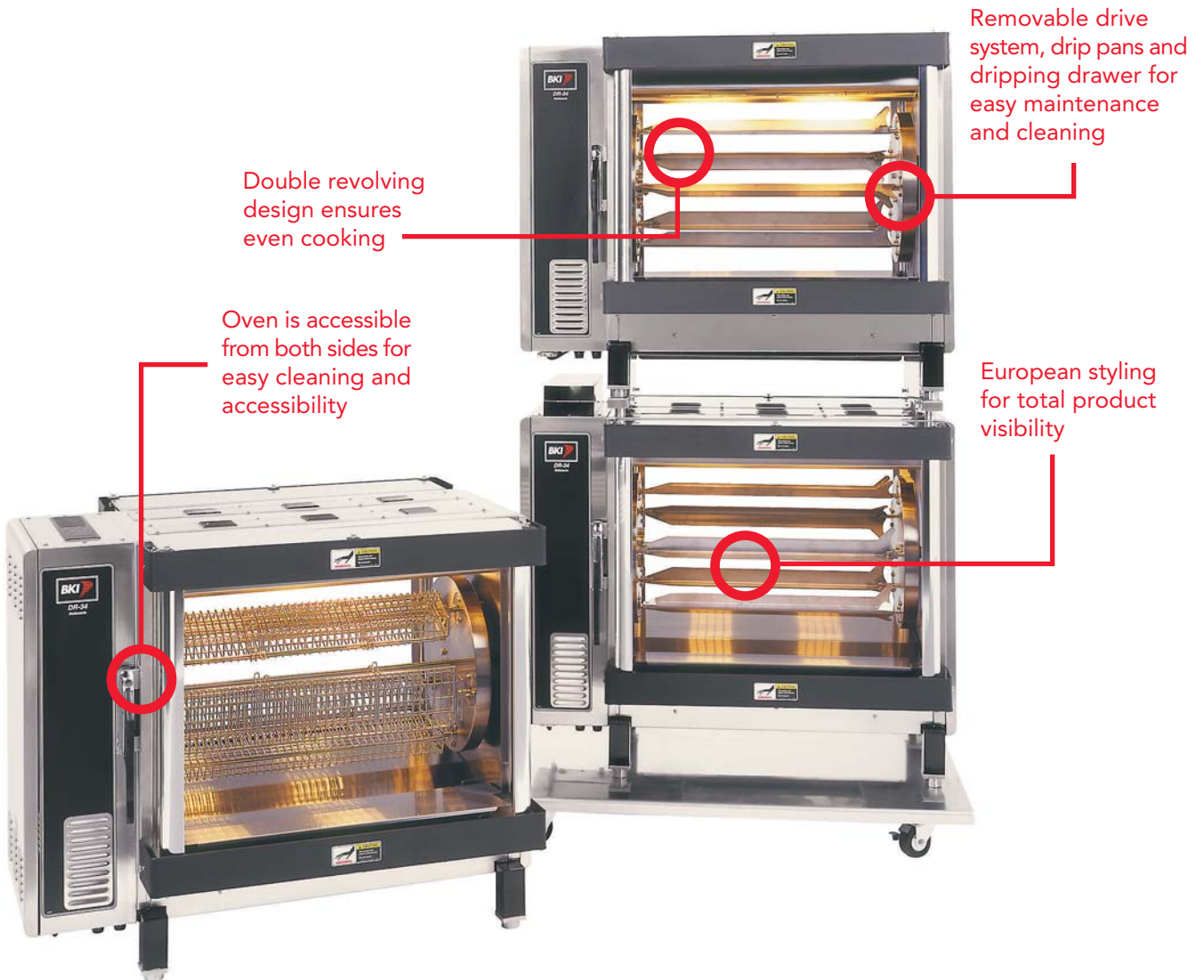


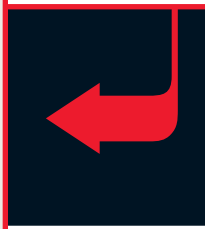


DR-34, DR-34/2

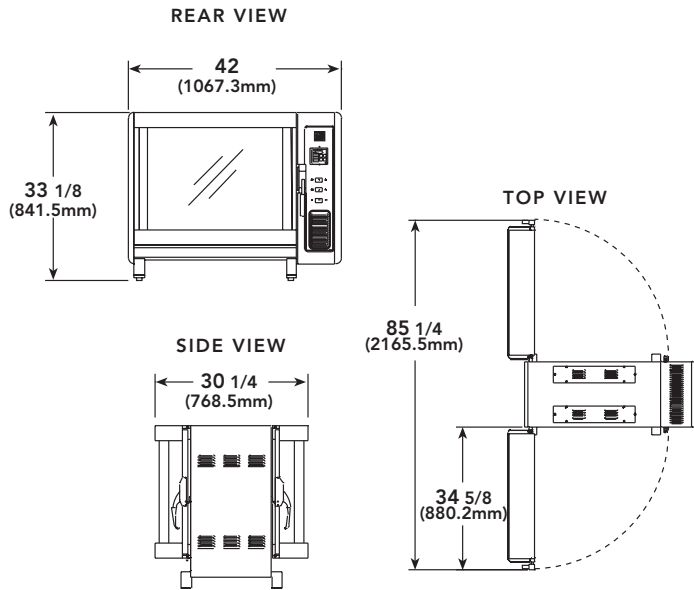
## DOUBLE REVOLVING OVENS



Maximize limited space in your delis, convenience stores and quick-serve restaurants with BKI's stackable or single double revolving ovens. The entire cooking mechanism revolves and so does each individual skewer for even cooking and "show and sell" excitement. Built-in automatic 'hot-hold' feature enhances product merchandising and profitability, and a self-basting process ensures tender, juicy products.



**DR-34**



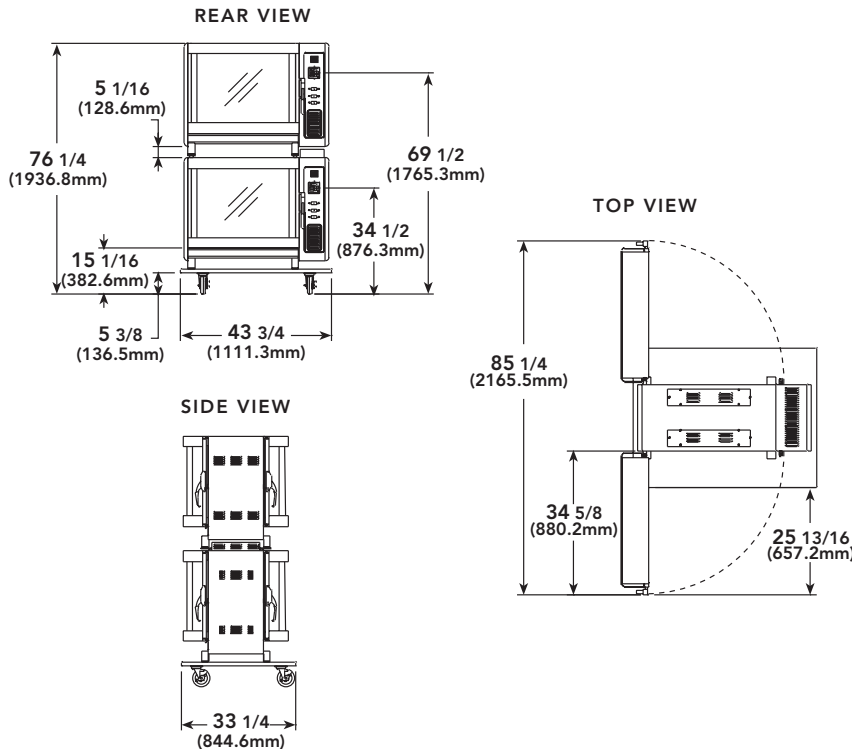
**ELECTRICAL SPECIFICATIONS**

Voltage	208	240
Phase	1/3	1/3
Wires	3/4	3/4
Amps	32/20	28/17
Breaker	40/30	40/30
kW	6.6	6.6

**DIMENSIONS**

Height	33 1/8" (841.5 mm)
Width	42" (1067.3 mm)
Depth	30 1/4" (768.5 mm)
Floor Space	8.8 sq.ft (.82 m <sup>2</sup> )
Shipping Weight	410 lb. (185.9 kg)
Shipping Cube	4.2 cu.ft (.12 m <sup>3</sup> )

**DR-34/2**



**ELECTRICAL SPECIFICATIONS**

Voltage	208	240
Phase	1/3	1/3
Wires	3/4	3/4
Amps	32/20	28/17
Breaker	40/30	40/30
kW	6.6	6.6

**DIMENSIONS**

Height	76 1/4" (1936.8 mm)
Width	43 3/4" (1111.3 mm)
Depth	33 1/4" (844.6 mm)
Floor Space	10.1 sq.ft (.94 m <sup>2</sup> )
Shipping Weight	830 lb. (376.5 kg)
Shipping Cube	80.4 cu.ft (2.28 m <sup>3</sup> )

NOTE: THESE UNITS WILL ACCEPT A NEUTRAL BUT IS NOT REQUIRED FOR OPERATION



**BKI Worldwide Headquarters**

P.O. Box 80400 Simpsonville, SC 29680-0400 USA • Tel: 864-963-3471 • Toll Free: 1-800-927-6887  
 Sales Fax: 509-352-5350

**BKI Europe (U.K.)**

Tel: (44) 8950 8222  
 Fax: (44) 8956 0233

**BKI Latin America**

Tel: 954-442-0480  
 Fax: 954-442-0480

