



LGF-FC

GAS PRESSURE FRYER

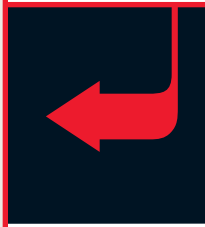


Optional microprocessor offers advanced control technology that enhances cooking capabilities

Lid interlock system adds a measure of safety by preventing the lid from being opened while pressure is in the fryer pot

Patented "Quick-Disconnect" filter assembly ensures proper filter alignment

Super-efficient gas pressure fryers offer fried food options that are efficient and easy to implement and manage. BKI's patented "Quick-Disconnect" filtration system and an "Instant-On" electric ignitor helps ensure simple and easy operation. With the electric ignitor, the burners are activated only when the fryer is turned on, eliminating the need for a constantly burning pilot. The result: BKI's gas fryer saves you fuel and money.



LGF-FC

ELECTRICAL SPECIFICATIONS

Voltage	120
Phase	1
Wires	2
Amps	7.2
Breaker	20
kW	.8

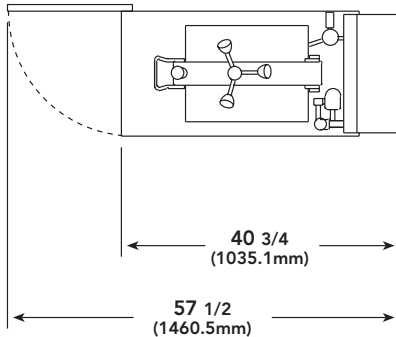
GAS SPECIFICATIONS

Gas	Natural	LP
BTU Rating	90,000/Hr	80,000/Hr
Inlet Pressure	4" W.C.	10.5" W.C.

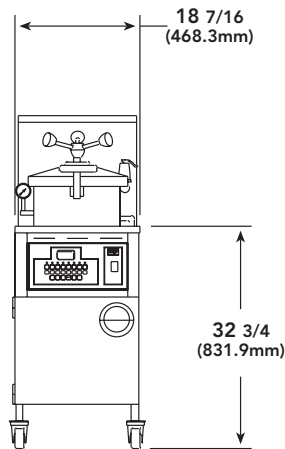
DIMENSIONS

Height	32 3/4" (831.9 mm)
Width	18 7/16" (468.3 mm)
Depth	40 3/4" (1035.1 mm)
Floor Space	5.2 sq.ft (.48 m²)
Shipping Weight	440 lb. (199.6 kg)
Shipping Cube	30.4 cu.ft (.86m³)
Product Capacity	14 lbs. (6.4kg)
Shortening Capacity	50 lbs. (22.7kg)
Operating psi	12 psi
Safety Release psi	15 psi

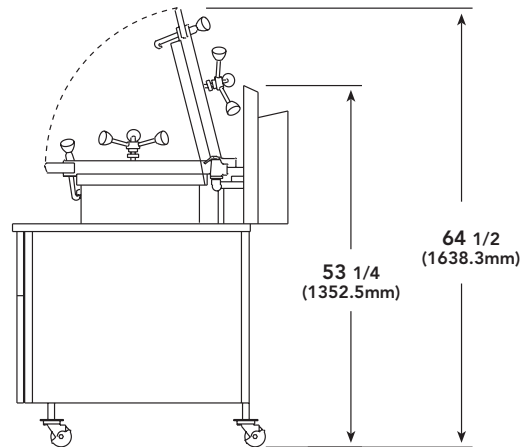
TOP VIEW



FRONT VIEW



SIDE VIEW



BKI Worldwide Headquarters

P.O. Box 80400 Simpsonville, SC 29680-0400 USA • Tel: 864-963-3471 • Toll Free: 1-800-927-6887
Sales Fax: 509-352-5350

BKI Europe (U.K.)

Tel: (44) 8950 8222
Fax: (44) 8956 0233

BKI Latin America

Tel: 954-442-0480
Fax: 954-442-0480

