

VG-CO ROTISSERIE CONVECTION OVEN COMBO

When space is a prime consideration, BKI's two-in-one VG-CO is the smart solution. Versatile and attractive, this hardworking unit gives supermarket delis double duty flexibility to cook and bake a wide array of delicious foods without taking up additional floor space. Its curved glass front is designed with merchandising in mind and offers excellent product visibility. Plus, the keypad lets you store up to fifteen custom programs for flexible cooking options.

The VG-CO is quality from top to bottom. The rotisserie cooks meats—up to 40 three-pound chickens in just 75 minutes—without high maintenance quartz tubes, while the convection oven bakes hot foods such as entrees, vegetables and breads to perfection. The VG-CO is easy to service and features a cool-door design for added safety.

STANDARD FEATURES

- o High Volume
- o Unique Heating Coil Element=Uniform Heat
- o Multi-stage Cook and Hold Computer with 15 Customizable Cook Programs
- o Cool Door for Safety
- o Three-Piece Removable Rotor System
- o Locking Casters Mounted to Bottom



Specifications subject to change without notice.



BKI North America

P.O. Box 80400 • Simpsonville, SC 29680
Tel: (864) 963-3471 • (800) 927-6887 • Fax: (864) 967-2787

BKI Europe

Tel: +(44) 01189 508222
Fax: +(44) 01189 560233

OPTIONS FOR SPECIFICATION

- o Standalone VG-8 Rotisserie—Specify VG-8
- o Standalone Convection Oven—Specify CO
- o Pass-thru or Solid Back (VG)
- o Flat or Curved Glass

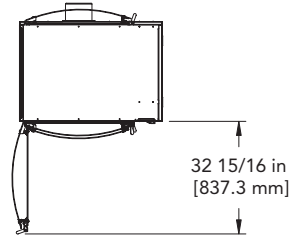
ACCESSORIES

- o Meat Fork
- o Meat Baskets
- o Insulated Mitt
- o V-Spit

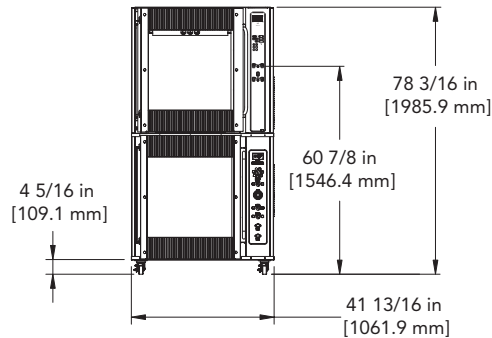


www.bkideas.com

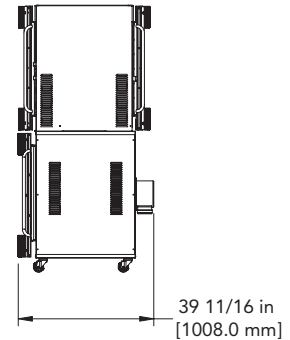
DIMENSIONS



TOP VIEW



FRONT VIEW



RIGHT SIDE VIEW

FLOOR SPACE

11.52 sq.ft. (1.07 m²)

CAPACITY

VG: 40 - 3lb. chickens
CO: 7.14 cu.ft.; 9 Rack Capacity

HEATING FORMAT

Convection

SHIPPING WEIGHT

945 lb. (428.6 kg)

ELECTRICAL

VG - ELECTRICAL SPECIFICATIONS

Volts	Amps	Breaker	KW	Wires	Phase
208	35.7	50	12.6	3	3
240	36	50	14.6	3	3

CO - ELECTRICAL SPECIFICATIONS

Volts	Amps	Breaker	KW	Wires	Phase
208	37.9	50	13.1	4	3
240	32.8	45	13.1	3	3

© BKI LI0085 4-04 Specifications subject to change without notice.



BKI North America

P.O. Box 80400 • Simpsonville, SC 29680
Tel: (864) 963-3471 • (800) 927-6887 • Fax: (864) 967-2787

BKI Europe

Tel: +(44) 01189 508222
Fax: +(44) 01189 560233

www.bkideas.com