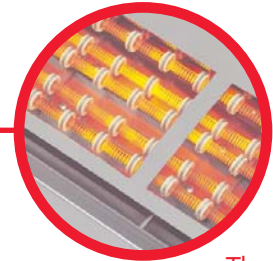


ROTISSERIE/DELI CASE



Door glass available in two different styles, Euro curved or traditional flat.



The unique heating coil element provides uniform heat without the need for high-maintenance quartz tubes



Optional ceramic tiles enhance merchandising appearance and appeal

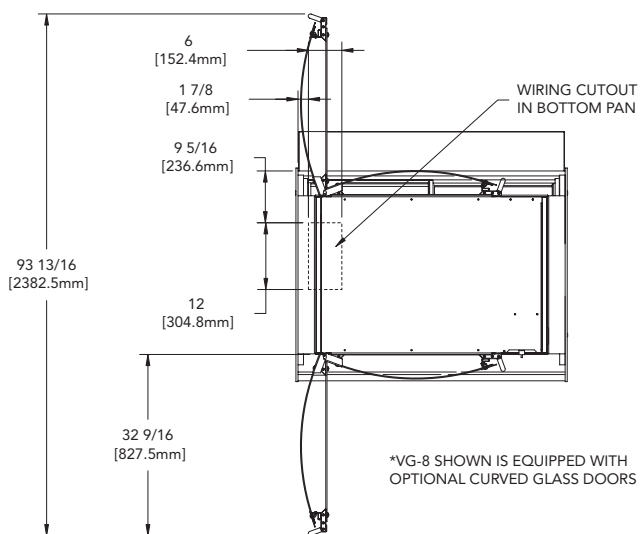
Adjustable thermostatic control options maintain desired temperature for each tier



Increase sales and profits with single-revolving oven and compact hot case for total food visibility. The ultra-efficient production center features a single-revolving mechanism that yields tender, self-basted food for "show and sell" excitement. Base or pedestal design fully maximizes floor space and merchandising capabilities. Choose from Euro curved or flat glass door design, and pass-through or solid back.



VGTSW-4



TOP VIEW

DELI CASE ELECTRICAL SPECIFICATIONS

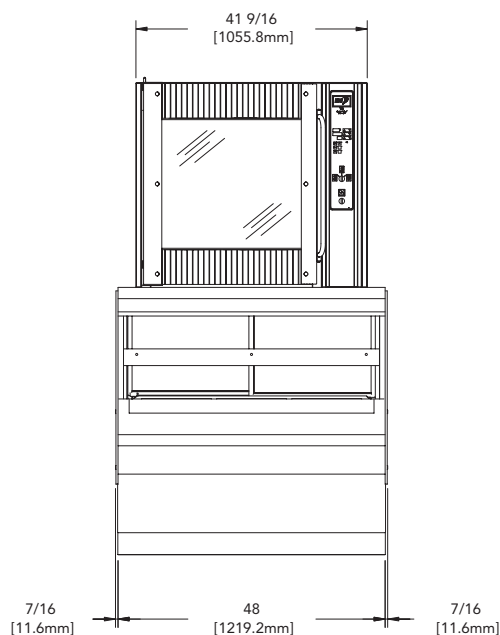
| | 208 | 240 | 220/380 | 240/415 |
|---------|-----------|-----------|---------|---------|
| Volts | 208 | 240 | 220/380 | 240/415 |
| Amps | 13.6/20.9 | 11.8/18.0 | 8.1 | 8.8 |
| Breaker | 20/30 | 15/25 | 15 | 15 |
| KW | 4.3 | 4.6 | 3.6 | 4.3 |
| Wires | 3/2 | 3/2 | 4 | 4 |
| Phase | 3/1 | 3/1 | 3 | 3 |

ROTISSERIE ELECTRICAL SPECIFICATIONS

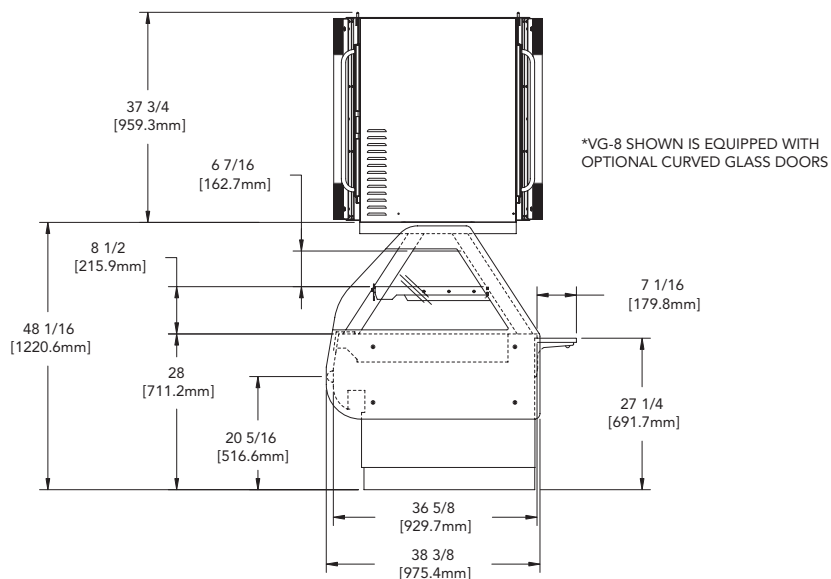
| | 208 | 240 | 220/380 | 240/415 |
|---------|------|------|---------|---------|
| Volts | 208 | 240 | 220/380 | 240/415 |
| Amps | 35.7 | 36 | 20.6 | 17.6 |
| Breaker | 50 | 50 | 30 | 25 |
| KW | 12.6 | 14.6 | 12.4 | 11.4 |
| Wires | 3 | 3 | 4 | 4 |
| Phase | 3 | 3 | 3 | 3 |

DIMENSIONS

| | |
|-----------------|--------------------------------|
| Height | 85-13/16" (2179.8mm) |
| Width | 48-7/8" (1242.4mm) |
| Depth | 38-3/8" (975.4mm) |
| Floor Space | 13 sq.ft. (1.2m) |
| Shipping Weight | 1025 lbs (465kg ²) |
| Shipping Cube | 147cu.ft. (4.1m ³) |



FRONT VIEW



END VIEW

CASE HAS VERTICAL ADJUSTMENT OF +1 1/2 (38.1 mm)



BKI Worldwide Headquarters

P.O. Box 80400 Simpsonville, SC 29680-0400 USA • Tel: 864-963-3471 • Toll Free: 1-800-927-6887

Sales Fax: 509-352-5350

BKI Europe (U.K.)

Tel: (44) 8950 8222

Fax: (44) 8956 0233

BKI Latin America

Tel: 954-442-0480

Fax: 954-442-0480

