

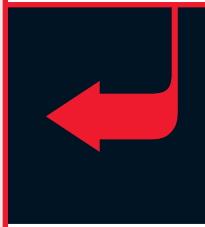


WDC-3

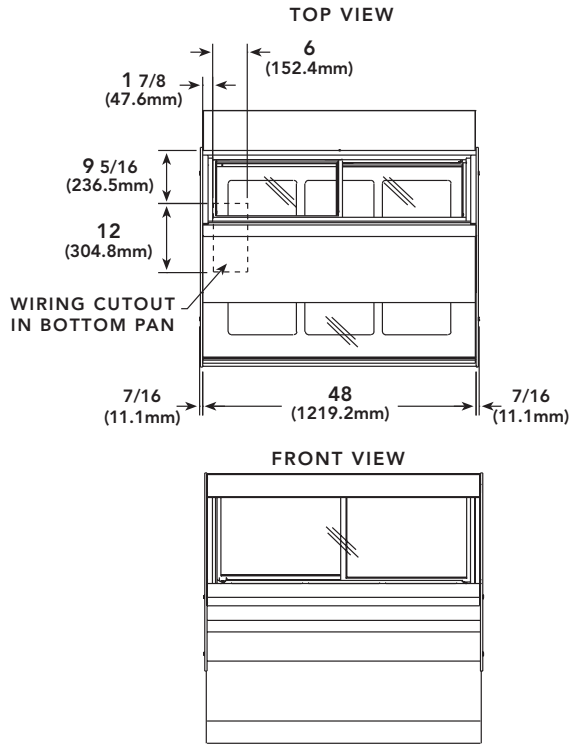
WATERLESS DELI CASE



Multiple options that translate to greater profitability. Improve merchandising capabilities and maximize floor space with BKI's 'hot hold' deli cases featuring Euro-style curved-glass. With 100% product visibility, customers can select various food items displayed in one compact deli case. Precision temperature-controlled waterless wells afford versatility for maximum even-heat distribution and extended merchandising.



WDC-3



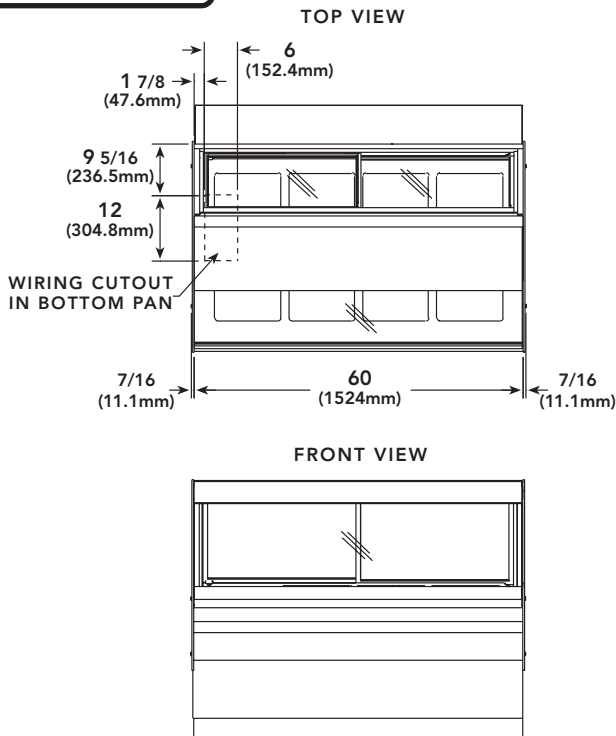
ELECTRICAL SPECIFICATIONS

	208	220	240
Voltage	208	220	240
Phase	3/1	3/1	3/1
Wires	3/2	3/2	3/2
Amps	13.0/21.0	11.5/18.3	12.4/20.0
Breaker	20/30	15/25	20/30
kW	4.4	4.0	4.8

DIMENSIONS

Height	47 7/16" (1204.9 mm)
Length	48 7/8" (1241.4 mm)
Depth	38 3/8" (974.7 mm)
Floor Space	13 sq.ft (1.2 m ²)
Shipping Weight	570 lb. (258.6 kg)
Shipping Cube	94.5 cu.ft (2.7 m ³)

WDC-4



ELECTRICAL SPECIFICATIONS

	208	220	240
Voltage	208	220	240
Phase	3/1	3/1	3/1
Wires	3/2	3/2	3/2
Amps	18.7/27.9	16.5/24.4	17.8/26.4
Breaker	25/35	25/35	25/35
kW	5.8	5.4	6.3

DIMENSIONS

Height	47 7/16" (1204.9 mm)
Length	60 7/8" (1546.2 mm)
Depth	38 3/8" (974.7 mm)
Floor Space	16.25 sq.ft (1.5 m ²)
Shipping Weight	620 lb. (281.2 kg)
Shipping Cube	94.5 cu.ft (2.7 m ³)

CASES HAVE VERTICAL ADJUSTMENT OF +1 1/2 (38.1 mm)



BKI Worldwide Headquarters

P.O. Box 80400 Simpsonville, SC 29680-0400 USA • Tel: 864-963-3471 • Toll Free: 1-800-927-6887
Sales Fax: 509-352-5350

BKI Europe (U.K.)

Tel: (44) 8950 8222

Fax: (44) 8956 0233

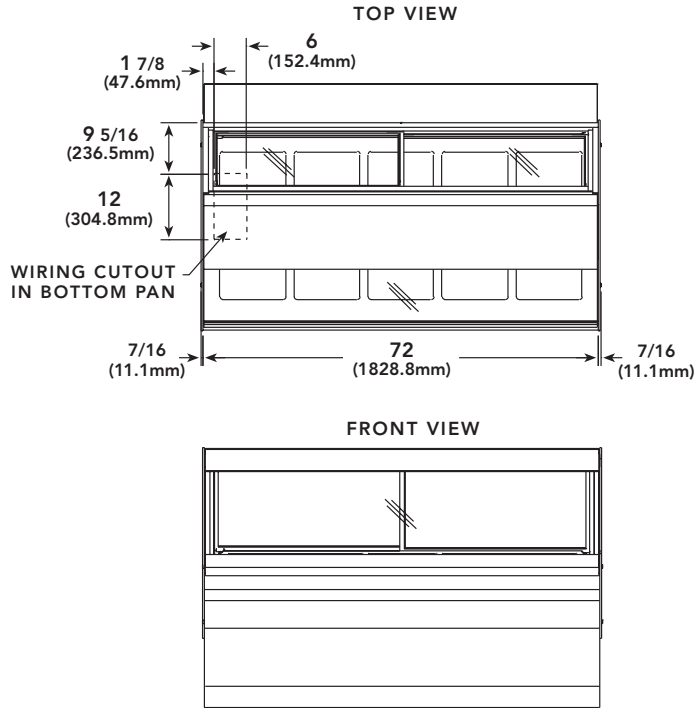
BKI Latin America

Tel: 954-442-0480

Fax: 954-442-0480



WDC-5



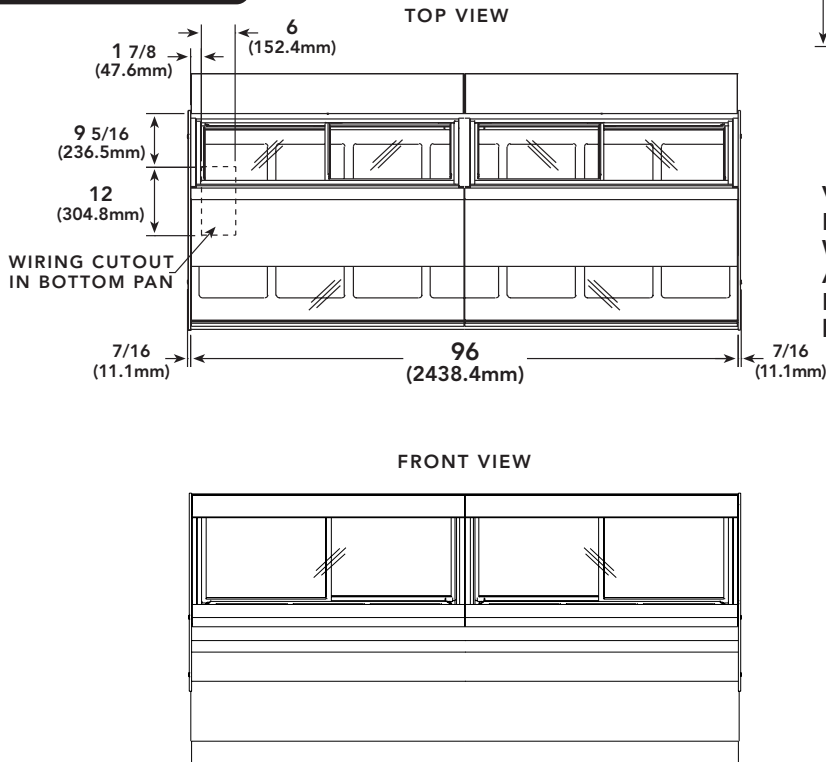
ELECTRICAL SPECIFICATIONS

Voltage	208	220	240
Phase	3/1	3/1	3/1
Wires	3/2	3/2	3/2
Amps	22.1/34.9	19.0/30.5	20.7/33.0
Breaker	30/45	25/40	30/45
kW	7.3	6.7	7.9

DIMENSIONS

Height	47 7/16" (1204.9 mm)
Length	72 7/8" (1851 mm)
Depth	38 3/8" (974.7 mm)
Floor Space	19.44 sq.ft (1.8 m ²)
Shipping Weight	695 lb. (315.3 kg)
Shipping Cube	134.5 cu.ft (3.8 m ³)

WDC-7



ELECTRICAL SPECIFICATIONS

Voltage	208	220	240
Phase	3/1	3/1	3/1
Wires	3/2	3/2	3/2
Amps	31.2/43.3	27.5/42.7	29.7/46.2
Breaker	40/60	40/60	40/60
kW	10.2/9.0	9.4	11.1

DIMENSIONS

Height	47 7/16" (1204.9 mm)
Length	96 7/8" (2460.6 mm)
Depth	38 3/8" (974.7 mm)
Floor Space	25.81 sq.ft (2.4 m ²)
Shipping Weight	945 lb. (428.6 kg)
Shipping Cube	175.3 cu.ft (5.0 m ³)

CASES HAVE VERTICAL ADJUSTMENT OF +1 1/2 (38.1 mm)



BKI Worldwide Headquarters

P.O. Box 80400 Simpsonville, SC 29680-0400 USA • Tel: 864-963-3471 • Toll Free: 1-800-927-6887
Sales Fax: 509-352-5350

BKI Europe (U.K.)

Tel: (44) 8950 8222

Fax: (44) 8956 0233

BKI Latin America

Tel: 954-442-0480

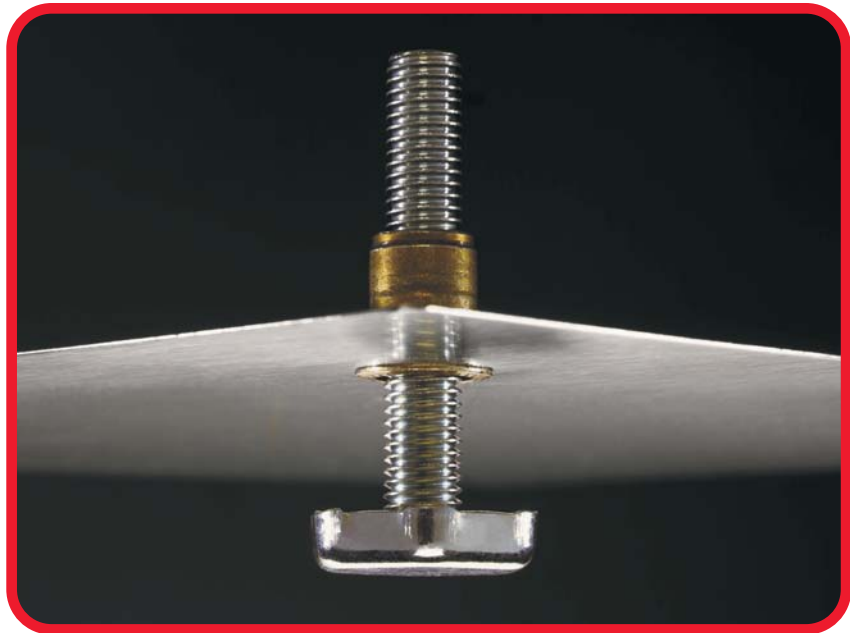
Fax: 954-442-0480



WATERLESS DELI CASE FEATURES

Attention To Detail

BKI manufactures equipment with a high quality of precision engineering right down to installation. BKI's cases are equipped with leg levelers to assist operators in conveniently installing and incorporating BKI's deli cases into foodservice venue's.



Precision-Controlled Waterless Wells

BKI simplifies the operating process with an easy-to-use operating panel that controls individual wells to expand merchandising.



BKI Worldwide Headquarters

P.O. Box 80400 Simpsonville, SC 29680-0400 USA • Tel: 864-963-3471 • Toll Free: 1-800-927-6887
Sales Fax: 509-352-5350

BKI Europe (U.K.)

Tel: (44) 8950 8222
Fax: (44) 8956 0233

BKI Latin America

Tel: 954-442-0480
Fax: 954-442-0480

