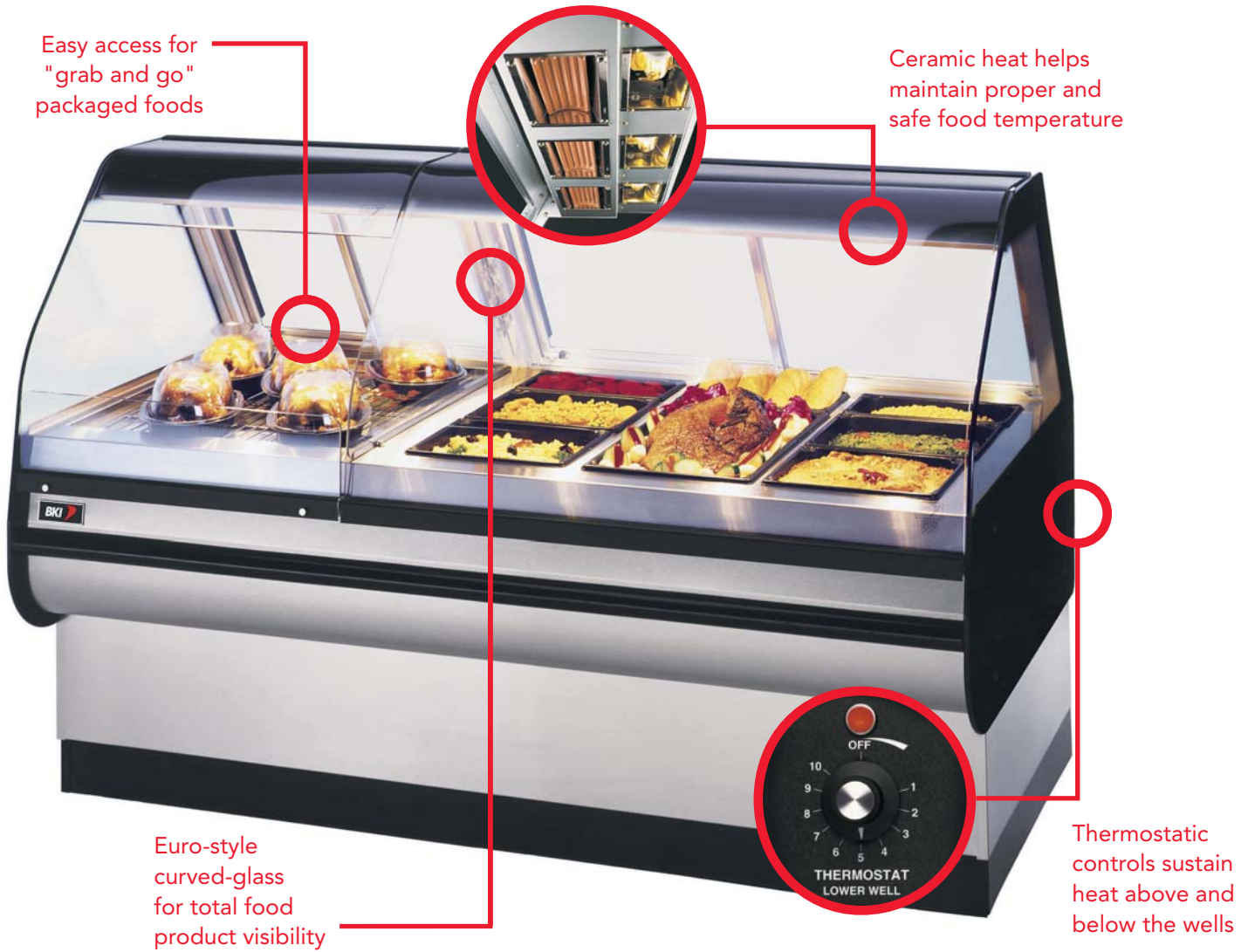




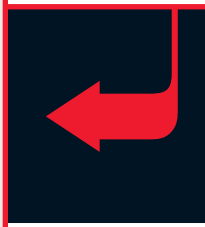
WDC-4/2L

WATERLESS DELI CASE COMBINATIONS

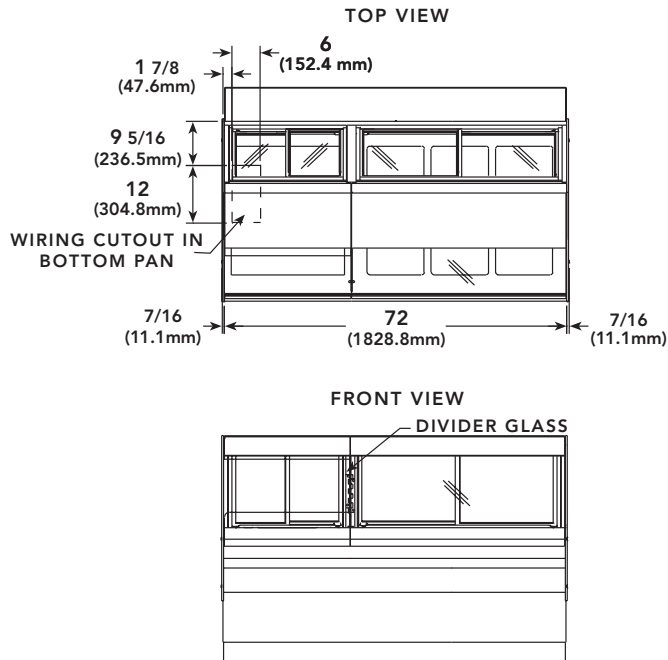


Multiple options that translate to greater profitability.

Improve merchandising capabilities and maximize floor space with BKI's 'hot hold' deli cases featuring Euro-style curved-glass. Customers can select food items displayed in a covered deli case or serve themselves prepared, packaged foods from a heated surface. Precision temperature-controlled waterless wells afford versatility for maximum even-heat distribution and extended merchandising.



WDC-4/2L



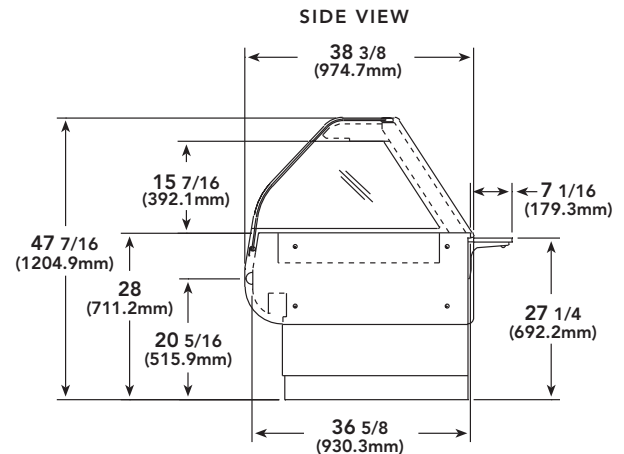
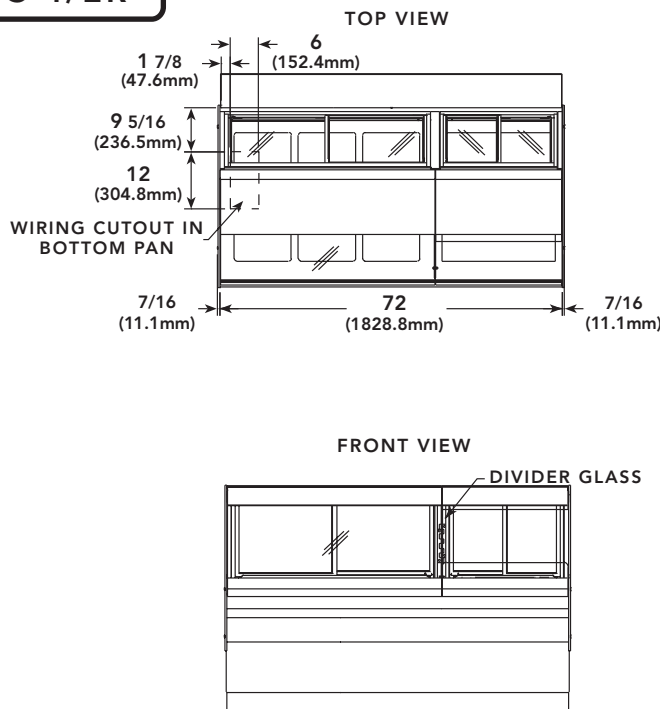
ELECTRICAL SPECIFICATIONS

Voltage	208	220	240
Phase	3/1	3/1	3/1
Wires	3/2	3/2	3/2
Amps	24.0/37.6	20.5/32.7	22.3/35.4
Breaker	30/50	30/45	30/45
kW	7.8	7.2	8.5

DIMENSIONS

Height	47 7/16" (1204.9 mm)
Length	72 7/8" (1851 mm)
Depth	38 3/8" (974.7 mm)
Floor Space	19.44 sq.ft (1.8 m ²)
Shipping Weight	695 lb. (315.3 kg)
Shipping Cube	134.5 cu.ft (3.8 m ³)

WDC-4/2R



CASES HAVE VERTICAL ADJUSTMENT OF +1 1/2 (38.1 mm)



BKI Worldwide Headquarters

P.O. Box 80400 Simpsonville, SC 29680-0400 USA • Tel: 864-963-3471 • Toll Free: 1-800-927-6887
 Sales Fax: 509-352-5350

BKI Europe (U.K.)

Tel: (44) 8950 8222

Fax: (44) 8956 0233

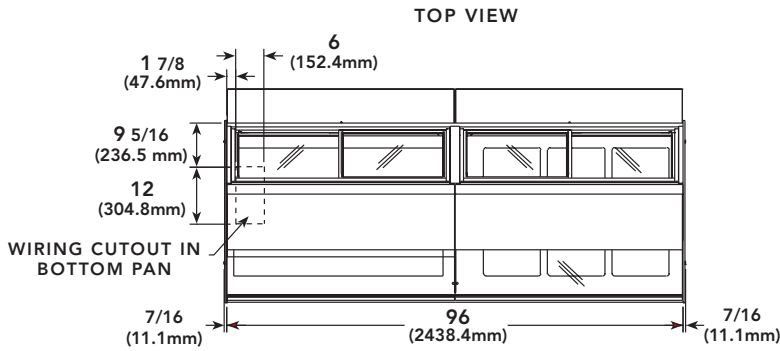
BKI Latin America

Tel: 954-442-0480

Fax: 954-442-0480



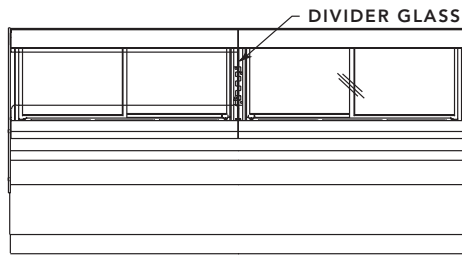
WDC-4/4L



ELECTRICAL SPECIFICATIONS

Voltage	208	220	240
Phase	3/1	3/1	3/1
Wires	3/2	3/2	3/2
Amps	27.9/45.1	24.4/39.2	27.4/42.5
Breaker	35/60	35/50	35/60
kW	9.4	8.6	10.2

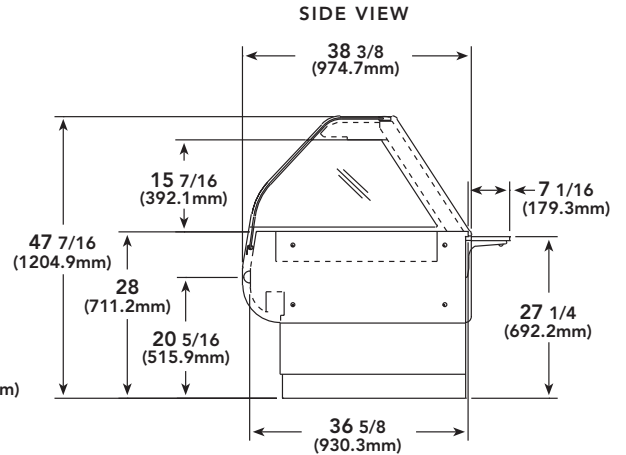
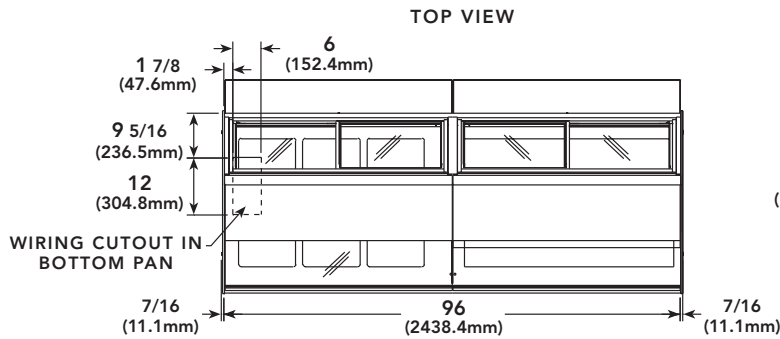
FRONT VIEW



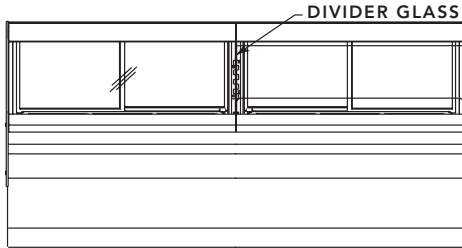
DIMENSIONS

Height	47 7/16" (1204.9 mm)
Length	96 7/8" (2460.6 mm)
Depth	38 3/8" (974.7 mm)
Floor Space	25.81 sq.ft (2.4 m ²)
Shipping Weight	945 lb. (428.6 kg)
Shipping Cube	175.3 cu.ft (5.0 m ³)

WDC-4/4R



FRONT VIEW



CASES HAVE VERTICAL ADJUSTMENT OF +1 1/2 (38.1 mm)



BKI Worldwide Headquarters

P.O. Box 80400 Simpsonville, SC 29680-0400 USA • Tel: 864-963-3471 • Toll Free: 1-800-927-6887
Sales Fax: 509-352-5350

BKI Europe (U.K.)

Tel: (44) 8950 8222

Fax: (44) 8956 0233

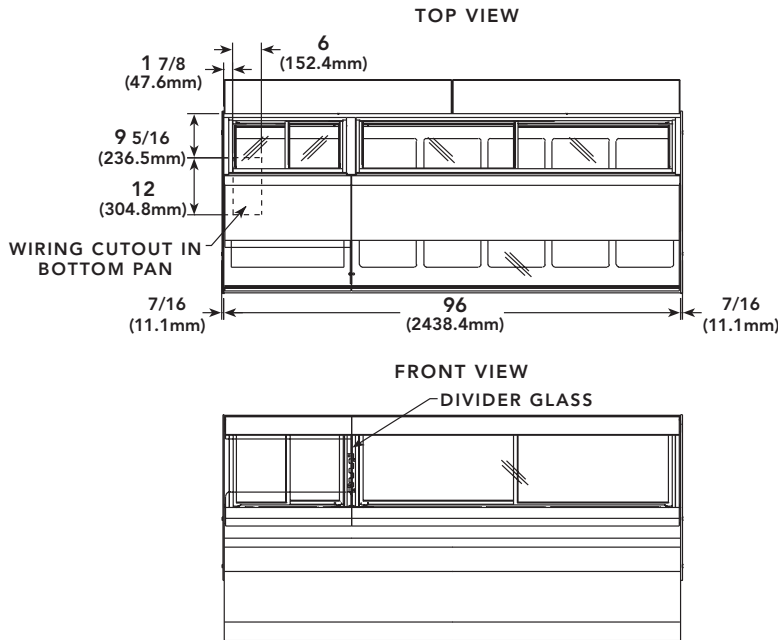
BKI Latin America

Tel: 954-442-0480

Fax: 954-442-0480



WDC-6/2L



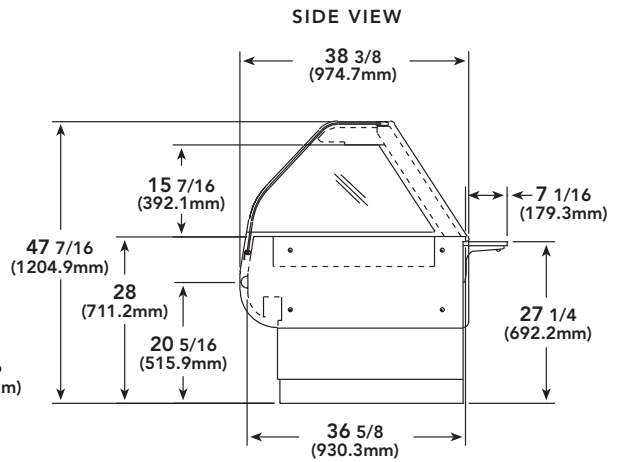
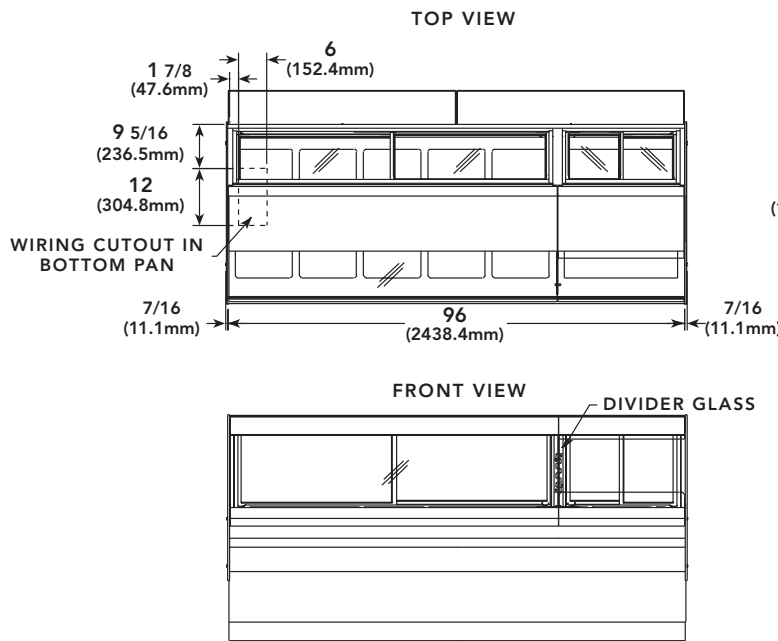
ELECTRICAL SPECIFICATIONS

Voltage	208	220	240
Phase	3/1	3/1	3/1
Wires	3/2	3/2	3/2
Amps	33.6/43.3	29.4/42.7	31.7/46.2
Breaker	40/60	45/60	40/60
kW	10.9/9.0	10.1/9.4	11.9/11.1

DIMENSIONS

Height	47 7/16" (1204.9 mm)
Length	96 7/8" (2460.6 mm)
Depth	38 3/8" (974.7 mm)
Floor Space	25.81 sq.ft (2.4 m ²)
Shipping Weight	945 lb. (428.6 kg)
Shipping Cube	175.3 cu.ft (5.0 m ³)

WDC-6/2R



CASES HAVE VERTICAL ADJUSTMENT OF +1 1/2 (38.1 mm)



BKI Worldwide Headquarters

P.O. Box 80400 Simpsonville, SC 29680-0400 USA • Tel: 864-963-3471 • Toll Free: 1-800-927-6887
Sales Fax: 509-352-5350

BKI Europe (U.K.)

Tel: (44) 8950 8222

Fax: (44) 8956 0233

BKI Latin America

Tel: 954-442-0480

Fax: 954-442-0480

